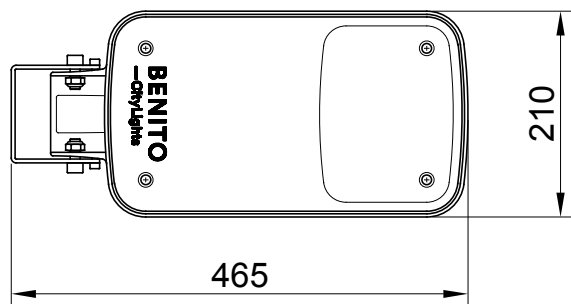


**BENITO**  
**-Light**

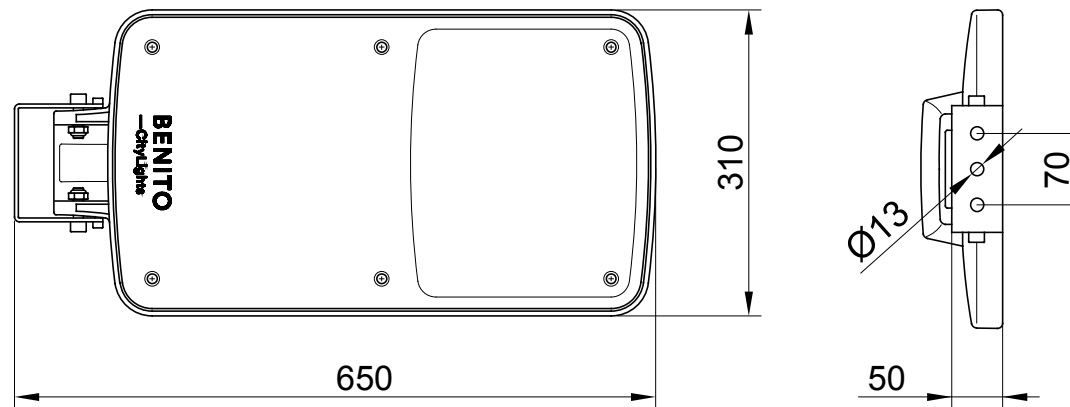
**Elium Projector**  
ILLI2

T +34 938 521 000  
www.benito.com

16 LEDs 4kg



64 LEDs 9kg



32 LEDs 7kg

