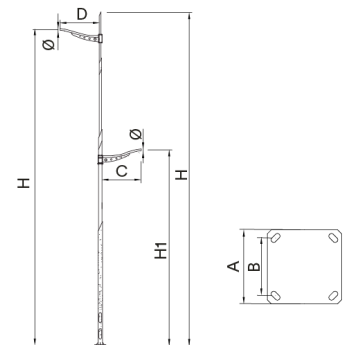

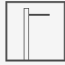
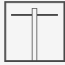





Pole made in steel S-235-JR galvanized. Painted in two colors, base in black oxiron and pole in grey RAL 9006. Thickness (base, shaft): 4,5mm, 3mm [ICBAM40: 3mm, 3mm].



Ref.	H	H1	H2	C	D	Ø	A	B					{proyectores}	
ICBAM40	4000	-	-	-	-	60	300	200	M18x500	x	-	-	-	-
ICBAM7.51	7500	6800	-	1350	-	60	400	300	M18x500	-	x	-	-	-
ICBAM90	9000	8500	5800	1350	1350	60	400	300	M18x500	-	x	x	x	-
ICBAM112	1160	11000	6800	1350	1350	60	400	300	M22x700	-	-	-	-	x
	1160	-	-	-	-	-	400	300	M22x700	-	-	-	-	x

**Luminarias recomanades:**



[ILLI](#)



[ILDH](#)



[ILNE](#)

**Opciones columna:**



[ICBAM40](#)



[ICBAM](#)