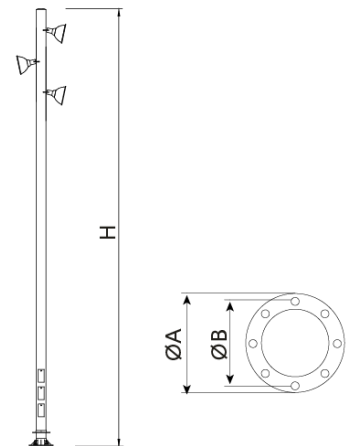




Pole manufactured in S-235 JR hot-galvanized steel, with two possible formats: - Height up to 8 m for installation of TOP luminaire with Ø60 mm. - 10 and 12 m Cilíndricas are only and exclusively for installing circular flood lights with outside equipment (can be housed in the 3 service doors available).



Ref.	H	Ø	ØA	ØB	
ICCL100	10000	60	550	430	M22x700
ICCL120	11700	60	550	430	M22x700

**Projects:**



The million and constant evolution of our products, may cause some modifications in the technical specifications and characteristics of the matekos sense anticipated.