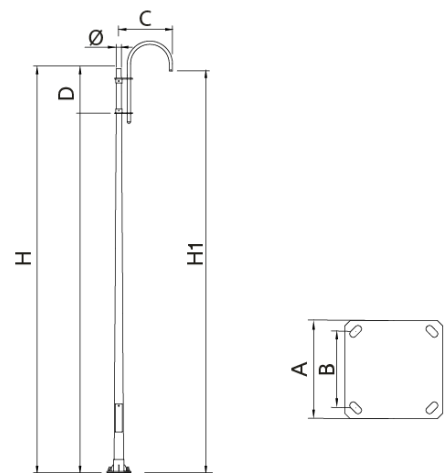




Pole made in steel S-235-JR galvanized with antirust primer and cast iron textured polyurethane coated.

Thickness (base, shaft): 3mm.

Special installation with 3 x M10 at 120°.



Ref.	H	H1	C	D	Ø	A	B	
ICCP50N	5000	4970	645	560	60	300	200	M18x500
ICCP60N	6000	5970	645	560	60	400	300	M18x500
ICCP70N	7000	6970	645	560	60	400	300	M18x500

Luminarias recomendadas:



[ILNBT91](#)



[ILNO](#)