

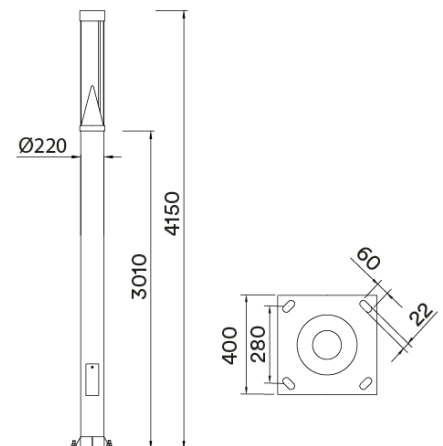


Lighting set with cylindrical pole. Luminaire fixing in TOP. The lamp has enough space to keep electrical equipment with different powers according to the table below.

Designed to reduce the light pollution of the previous version. Base made of steel S-235-JR galvanized and superficial finish by polyurethane paint in different optional colours.

Luminaire made of aluminium and painted in RAL 9007 colour.

Optional: Product available in colours, to consult.



**Projects:**



The million and constant evolution of our products, may cause some modifications in the technical specifications and characteristics of the matekos sense anticipated.