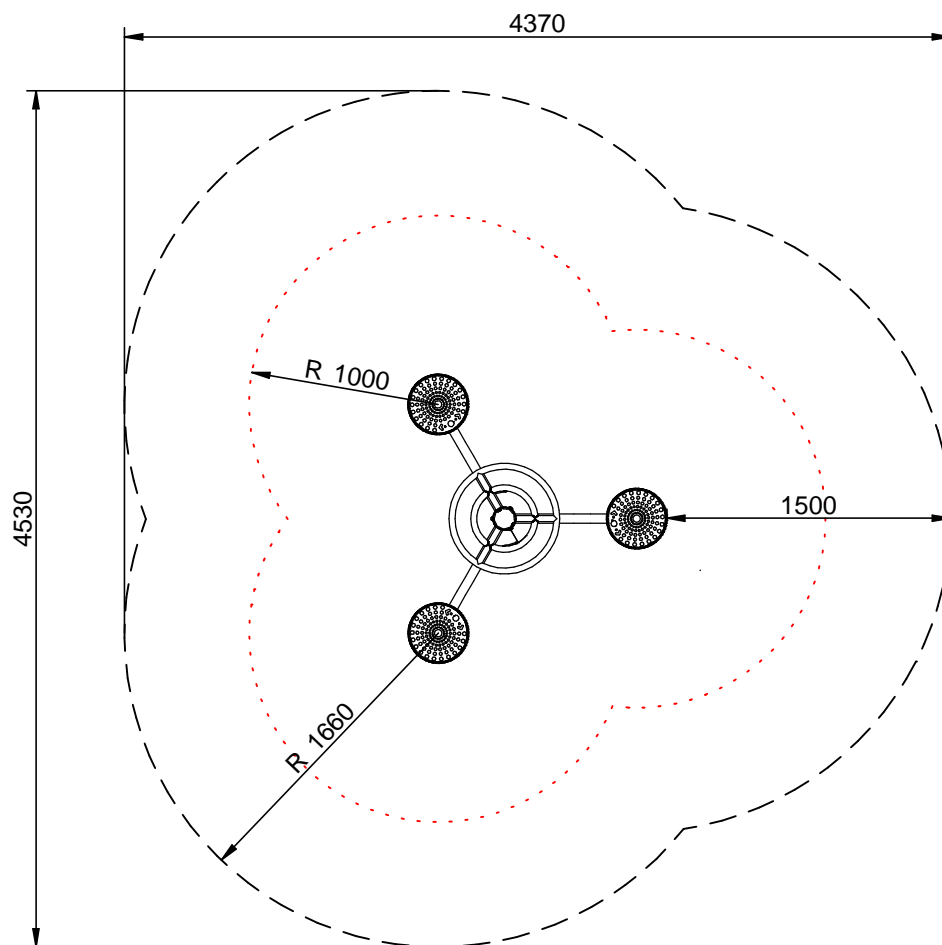
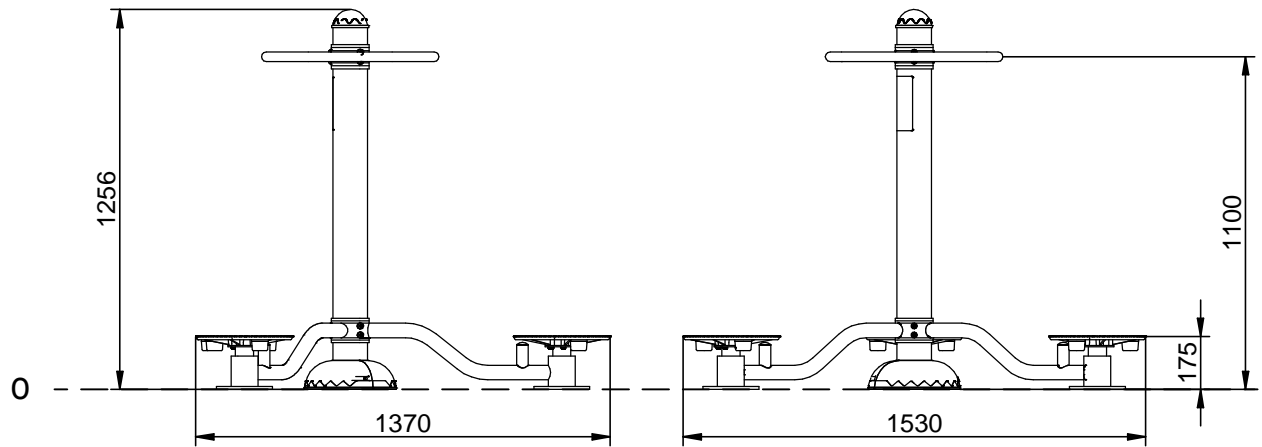


CINTURA | CEINTURE | WAIST | CINTURA



Stotal = 15,20 m² H= 0,18 m