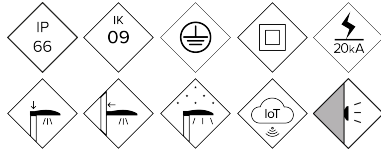


APALXL

Floodlight

APOLO XL



Flat-profile Floodlight specifically designed for sports stadium lighting. This family offers three different sizes and a wide power range, from 250W to 1500W. It is available with multiple light distributions to suit each project. Its bracket-mounted design allows for tilting at any angle. It is designed for any dimming control system. It also includes a laser pointer mount for precise aiming of the Floodlights .

MAIN FEATURES:

- High efficiency. Up to 167 lm/W real
- 3 different sizes. From 250W to 1500W
- Ultra-light compact IP driver
- Independent module regulation
- High heat dissipation capacity
- DALI & DMX control
- High robustness to 5G vibrations
- Aluminum and magnesium body to reduce weight and improve heat transfer
- Centralized junction box with watertight connectors for easy installation

APPLICATIONS:

- Large-area sports facilities: soccer, rugby, athletics
- Major Infrastructures; Airports and Ports

[Project sheet](#) | [CAD](#) | [Mounting instructions](#) | [HD image](#)

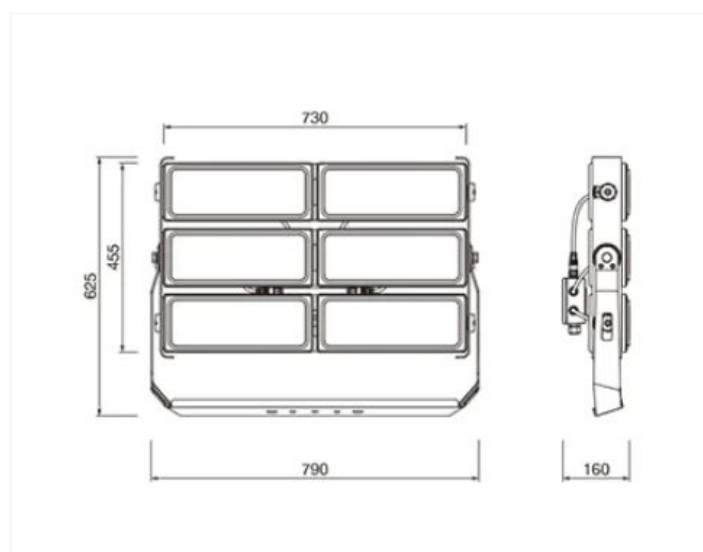
BENITO

info@benito.com
tel. 93 852 1000

SPECIFICATIONS :

Housing material:	Die-cast aluminium and magnesium alloy casting of type EN AC-43000, EN AC-43100, EN AC-43400, EN AC-44100, EN AC-47100 according to UNE EN 1706. Aluminium extrusion modules
Diffuser (optic system enclosure):	Polycarbonate
Fixing elements:	18/8 Stainless Steel - AISI 304
Housing:	Modular single fork
Sealing gaskets:	Silicone Foam
IP rating (luminaire):	IP66
IP rating (optic system):	IP66
IK rating (impact resistance):	IK09
LEDs thermal dissipation:	Heat dissipation through LED modules. Passive heat dissipation by convection, ensuring thermal contact between the LED modules through highly conductive heat transfer material.
Anti-condensation valve:	Pressure compensation valve that ensures moisture evacuation, preventing condensation and maintaining the luminaire's IP rating.
Paint and finishes:	Polyester powder coating, electrostatically sprayed and oven-sublimated. Corrosion-resistant.
Colour:	Color RAL 9022
Mounting:	Reinforced steel lyre with U-shaped profile
Tilt range:	Adjustable Floodlight with +20°/-20° inclination.
Maintenance:	Replaceable modules: LEDs, drivers, SPDs. Driver modules can be easily disconnected using IP67 waterproof connectors.
Recommended mounting height:	18 - 40 m.
Driver:	High-efficiency compact driver
Flow Reduction:	DALI & DMX Dimmable Driver
Ready4IOT - Connectivity:	<ul style="list-style-type: none"> - Autonomous multiple-level dimming or virtual midnight - Ready4IoT - Dimming by main voltage - Line switch
Surge protection device (SPD):	Optional 10-20kV and 20kA Type 2 Transient Surge Protector (SPD). Series connection with thermal disconnection fuse for more effective protection at the end of the SPD's life. Optional FULL PROTECTOR
DarkSky Approved	

DRAWING:

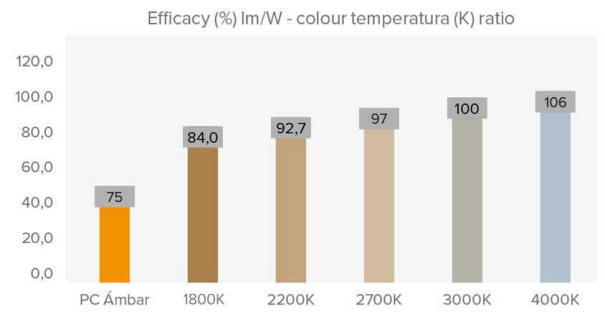


INSTALLATION:



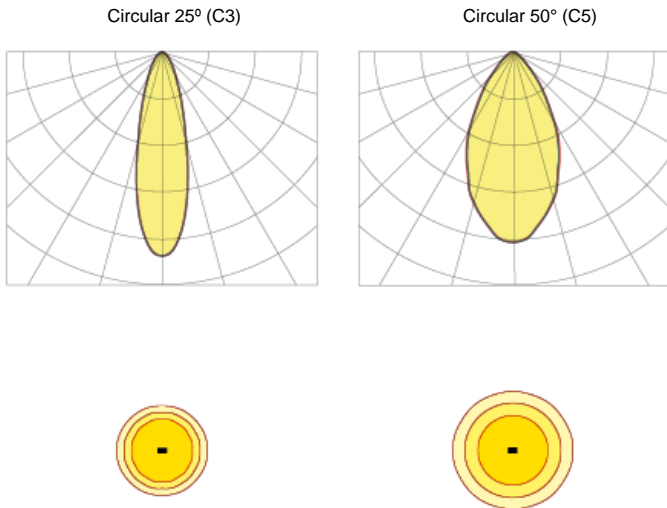
TECHNICAL DATA:

	REF.	N° LEDs	Power W	I Driver mA	Real luminous flux (T) =85°C		Initial luminous flux (T) =25°C	
					Flux lm	Efficacy lm/W	Flux lm	Efficacy lm/W
APOLO XL	APALXL	396	1200	960	184800	154	218400	182
		396	1500	1200	226500	151	273000	182



.Luminous flux and efficiencies at 3000K and CRI>70 – Tolerance ± 3%

PHOTOMETRY:



*Show 4 recommended lighting distributions. Refer to the 18 typologies.

LEDs MODULE:

LEDs module:	BENITO Zhaga format with 8, 12, and 16 LEDs. Consult color temperatures, CRI, and light distributions.	
Replaceable module:	YEAH	
LED:	7070	
Number of LEDs:	84	
PCBs format:		
LED nominal efficacy:	182	
Colour temperature:	4K, 5K, 5K7	
Colour rendering index CRI:	>70 (optional >80)	
Average LED useful time L90B10:	L90B10 >100,000 hours	

OPTIC SPECIFICATIONS:

Optic system:	PMMA lenses	
Light distributions:	7 light distribution curves	
Upward light output ratio ULOR:	0%	
Downward light output ratio DLOR:	100%	
Glare index:	Between D5 and D6 (depending on the light distribution)	
Luminous intensity category:	Between G*4 and G*6 (depending on the light distribution)	
Luminous flux CIE n°3:	>95%	
Photobiological safety:	RG0 (risk-free)	
Initial luminous flux Tj=25°C (up to):	lm	273000
Initial luminaire efficacy Tj=25°C (up to):	lm/W	182
Real luminous flux Tj=85°C (UNE EN 13032-4) (up to):	lm	226500
Real luminaire efficacy Tj=85°C (UNE EN 13032-4) (up to):	lm/W	151

ELECTRIC SPECIFICATIONS:

Nominal maximum power (LEDs):	W	900
Maximum power consumed (luminaire):	W	1000W
Power range:	W	1000 - 1500W
Maximum current of LED:	mA	<400 (<50% I _{max})
Power supply protection classes IEC:	Class I and II	
Surge protection device (SPD):	Optional 10-20kV and 20kA Type 2 Transient Surge Protector (SPD). Series connection with thermal disconnection fuse for more effective protection at the end of the SPD's life. Optional FULL PROTECTOR	
Common and differential mode protection (SPD) Udc:	kV	10 y otros colores bajo pedido
Max current (8/20) (SPD):	kA	20
Thermal phase disconnection (SPD):	Yes	
Input voltage:	Vac	220-240
Input voltage (max rate):	Vac	198-264
Input frequency:	Hz	47-63
Starting current:	A	<65
Duration of the starting voltage peak:	ms	<0,3
Driver efficacy:	>95%	
Power factor 100% consumption:	>0,98	
Power factor 50% consumption:	>0,95	
Total harmonic distortion (THD):	<10	
Power consumption on standby mode:	W	<0.4
Energy class:	C (According to EU Regulation 2019/2015 EPREL) - A++ IPEA>1.15.	

OPERATING CONDITIONS:

Average LED useful time L90B10:	hours	100.000
Average driver useful life to T _p <70°C:	hours	100.000
Average luminaire useful life L90B10 (TM-21):	hours	72.167
Ambient temperature (T _a):	°C	from -35°C to +50°C
Aerodynamic resistance (C _x S):	m ²	0,445
Vibration test (15Hz 3 axis):		
Guarantee:	Years	5 years (extensible up to 10 years)

PACKAGING DIMENSIONS:

Net weight	kg	21 (driver 5)
Gross weight	kg	23 (driver 6)
Luminaire dimensions (LxWxH)	mm	790x590x130 (driver 500x150x81)
Packaging dimensions (LxWxH)	mm	820x620x160
Pieces per box	1	
Quantity per container 20ft		
Quantity per container 40ft		

CERTIFICATES:

Security certificates:	EN 60598-1 / EN 60598-2-5 / EN 62493 / IEC 62473
EMC certificates:	EN 55015 / EN 61547 / EN 61000-3-2 / EN 61000-3-3 / EN 61347-2-13 / EN 61347-1 / EN 62384
Other certifications:	IEC 62262 / EN 13032-4 / EN 62717 / EN 6272-1 / EN 6272-2-1 / EN 61643-11

Company Certifications



BENITO

info@benito.com
tel. 93 852 1000