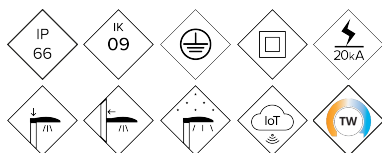


APCL

# Floodlight CICLO



Compact circular projector with rear ball joint for orientation. Various supports for column mounting (2.36 in) and clamps for round-profile columns. Available in a wide range of powers, from 15W to 75W. It comes with multiple light distributions to suit each project. Its ball joint mounting allows orientation at any tilt angle. Prepared for any control and regulation system.

## MAIN FEATURES:

- High efficiency. Up to 140 lm/W real
- Power range 15W to 70W
- 18 different light distributions
- Zhaga Standard (Book 15)
- Orientation by means of a ball joint
- Various accessories for anchoring to Pole.
- Optional RGBW with DMX-514 control

## APPLICATIONS:

- Cycle Lane and Narrow Tracks
- Pedestrian Zones
- Commercial and Tourist Streets
- Squares
- Green Areas; Parks and Gardens
- Architectural; Buildings and Monuments

[Project sheet](#) | [CAD](#) | [Mounting instructions](#) | [HD image](#)

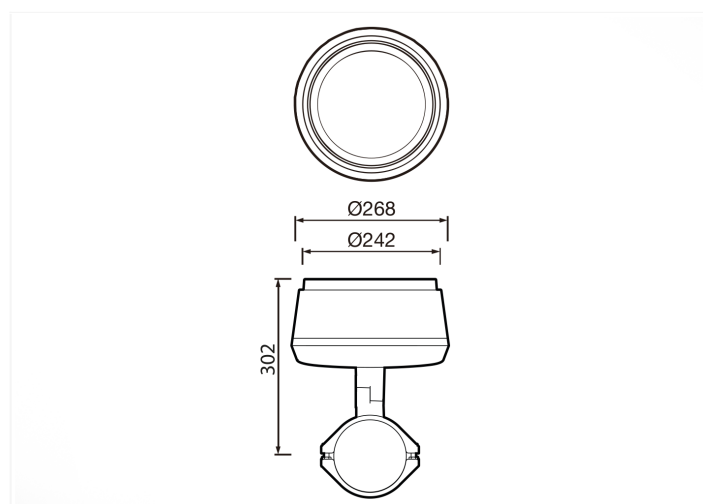
# BENITO

info@benito.com  
tel. 93 852 1000

## SPECIFICATIONS :

Housing material:	Die-cast aluminium casting of type EN AC-43000, EN AC-43100, EN AC-43400, EN AC-44100, EN AC-47100 according to standard UNE EN 1706.
Diffuser (optic system enclosure):	5mm tempered glass. UV filtering.
Fixing elements:	18/8 Stainless Steel - AISI 304
Housing:	Double Cavity: Driver / LED Module
Sealing gaskets:	Silicone Foam
IP rating (luminaire):	IP66
IP rating (optic system):	IP66
IK rating (impact resistance):	IK09
LEDs thermal dissipation:	Heat dissipation through the luminaire body, without external fins or conductive fluids. Passive heat dissipation through convection, ensuring thermal contact between the LED modules through highly conductive heat transfer material.
Anti-condensation valve:	Pressure compensation valve that ensures moisture evacuation, preventing condensation and maintaining the luminaire's IP rating.
Paint and finishes:	Polyester powder coating, electrostatically sprayed and oven-sublimated. Corrosion-resistant.
Colour:	Microtextured black color and other colors upon request
Mounting:	a Pole. Optional with clamp.
Tilt range:	Adjustable floodlight from -60° to 60° inclination
Maintenance:	Top-opening for easy handling. Replaceable modules: LEDs, drivers, SPDs.
Recommended mounting height:	8-10 m
Driver:	Dimmable and programmable constant-current driver. Built into the luminaire, pre-wired onto a steel plate.
Flow Reduction:	Dimmable 0-10V Driver, programmable in 5 levels and with DALI 2 option. With the features of Wireless, AOC, MTP, DTL.
Ready4IOT - Connectivity:	- Autonomous multiple-level dimming or virtual midnight - Ready4IoT - Dimming by main voltage - Line switch
Surge protection device (SPD):	Type 2, 10-20kV and 20kA transient surge protector. Series connection with thermofuse disconnecter for a more effective protection at the end of its service life
DarkSky Approved	

## DRAWING:

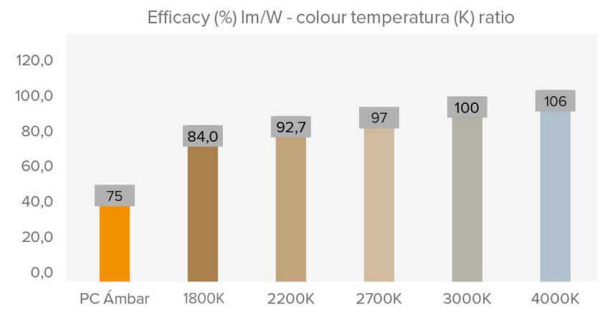


## INSTALLATION:



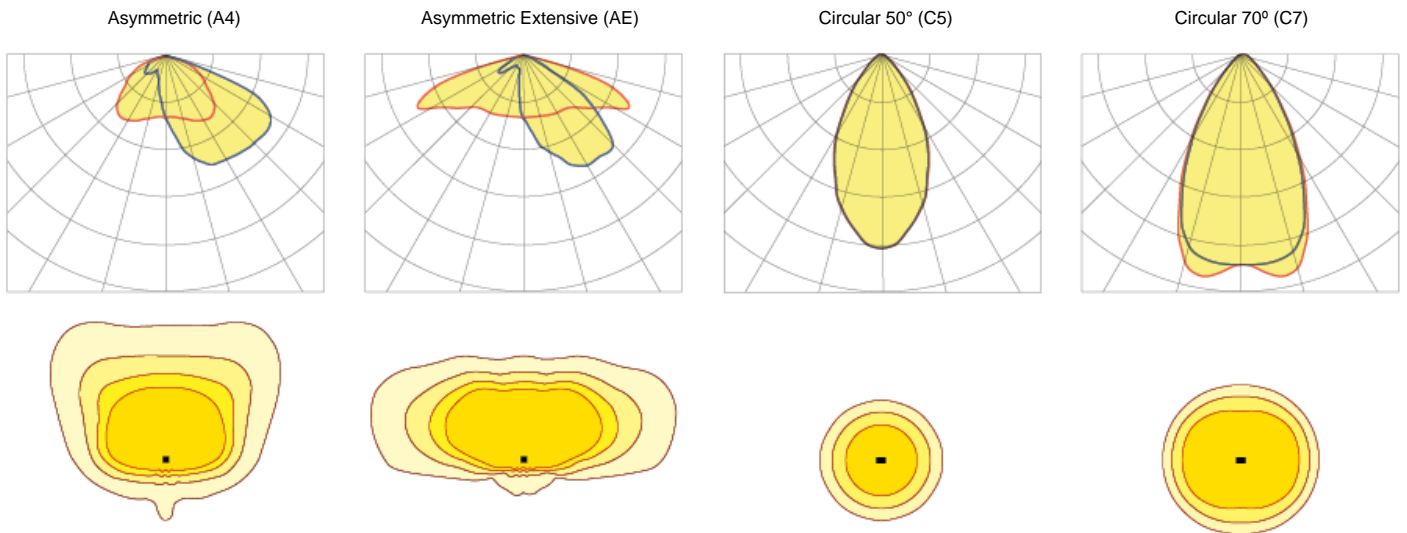
## TECHNICAL DATA:

	REF.	Nº LEDs	Power W	I Driver mA	Real luminous flux (T) =85°C)		Initial luminous flux (T) =25°C)	
					Flux lm	Efficacy lm/W	Flux lm	Efficacy lm/W
CICLO	APCL75	28	30	322	3930	131	4440	148
		28	50	536	6500	130	7400	148
		28	70	750	8820	126	10010	143



Luminous flux and efficiencies at 3000K and CRI>70 – Tolerance ± 3%

## PHOTOMETRY:



\*Show 4 recommended lighting distributions. Refer to the 18 typologies.

**LEDs MODULE:**

LEDs module:	BENITO Zhaga format with 8, 12, and 16 LEDs. Consult color temperatures, CRI, and light distributions.
Replaceable module:	Yeah
LED:	5050
Number of LEDs:	28
PCBs format:	2 Zhaga (Book 15) 2x4 + 1 Zhaga (Book 15) 2x8
LED nominal efficacy:	172
Colour temperature:	PC Amber, 2K2, 2K7, 3K, 4K, 5K, optional RGBW
Colour rendering index CRI:	>70 (optional >80)
Average LED useful time L90B10:	L90B10 >100,000 hours

**OPTIC SPECIFICATIONS:**

Optic system:	PMMA 2x2 lenses
Light distributions:	18 light distribution curves
Upward light output ratio ULOR:	0%
Downward light output ratio DLOR:	100%
Glare index:	Between D5 and D6 (depending on the light distribution)
Luminous intensity category:	Between G*4 and G*6 (depending on the light distribution)
Luminous flux CIE n°3:	>95%
Photobiological safety:	RG0 (risk-free)
Initial luminous flux Tj=25°C (up to):	lm 10688
Initial luminaire efficacy Tj=25°C (up to):	lm/W 130
Real luminous flux Tj=85°C (UNE EN 13032-4) (up to):	lm 9375
Real luminaire efficacy Tj=85°C (UNE EN 13032-4) (up to):	lm/W 125

**ELECTRIC SPECIFICATIONS:**

Nominal maximum power (LEDs):	W 67,5
Maximum power consumed (luminaire):	W 75
Power range:	W 40W - 75W
Maximum current of LED:	mA <400 (<50% I <sub>max</sub> )
Power supply protection classes IEC:	Class I and II
Surge protection device (SPD):	Type 2, 10-20kV and 20kA transient surge protector. Series connection with thermofuse disconnecter for a more effective protection at the end of its service life
Common and differential mode protection (SPD) Udc:	kV 10 y NTC opcional
Max current (8/20) (SPD):	kA 20
Thermal phase disconnection (SPD):	Yes
Input voltage:	Vac 220-240
Input voltage (max rate):	Vac 198-264
Input frequency:	Hz 47-63
Starting current:	A <65
Duration of the starting voltage peak:	ms <0,3
Driver efficacy:	>90%
Power factor 100% consumption:	>0,98
Power factor 50% consumption:	>0,95
Total harmonic distortion (THD):	<10
Power consumption on standby mode:	W <0.4
Energy class:	C (According to EU Regulation 2019/2015 EPREL) - A++ IPEA>1.15.

**OPERATING CONDITIONS:**

Average LED useful time L90B10:	hours 100.000
Average driver useful life to Tp <70°C:	hours 100.000
Average luminaire useful life L90B10 (TM-21):	hours 96.000
Ambient temperature (Ta):	°C de -35°C a +50°C
Aerodynamic resistance (CxS):	m2 0,09
Vibration test (15Hz 3 axis):	
Guarantee:	years 5 years (extensible up to 10 years)

**PACKAGING DIMENSIONS:**

Net weight	kg 5,3
Gross weight	kg 6,3
Luminaire dimensions (LxWxH)	mm Ø 268 mm x 272 mm
Packaging dimensions (LxWxH)	mm 575 x 295 x 320 mm
Pieces per box	1
Quantity per container 20ft	
Quantity per container 40ft	

**CERTIFICATES:**

Security certificates:	EN 60598-1 / EN 60598-2-5 / EN 62493 / IEC 62471
EMC certificates:	EN 55015 / EN 61547 / EN 61000-3-2 / EN 61000-3-3 / EN 61347-2-13 / EN 61347-1 / EN 62384
Other certifications:	IEC 62262 / EN 13032-4 / EN 62717 / EN 6272-1 / EN 6272-2-1 / EN 61643-11

Company Certifications

**BENITO**

info@benito.com  
tel. 93 852 1000