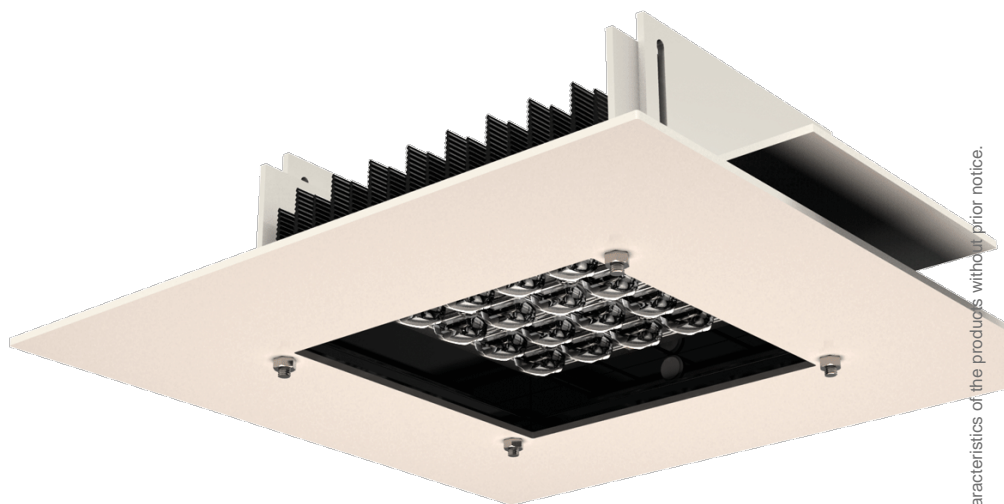


APG32

# GAS



Retrofit module with 32 LEDs. High-efficiency sink made of anodised extruded aluminium. Power from 20W to 120W without affecting the LEDs lifetime. Essential for the technological update of the discharge luminaire. Adapts to any luminaire if combined with a mounting plate.

## MAIN FEATURES:

High efficiency. Up to 145 lm/W real  
2 different sizes. From 20W to 120W  
18 different light distributions  
Zhaga standard (Book 15)  
4mm tempered glass with silicone sealing gasket to achieve IP66

## APPLICATIONS:

Sports Facilities; Sports Halls, Sports Courts,  
Tennis, Padel  
Industrial Warehouses  
Petrol Stations

[HD image](#)

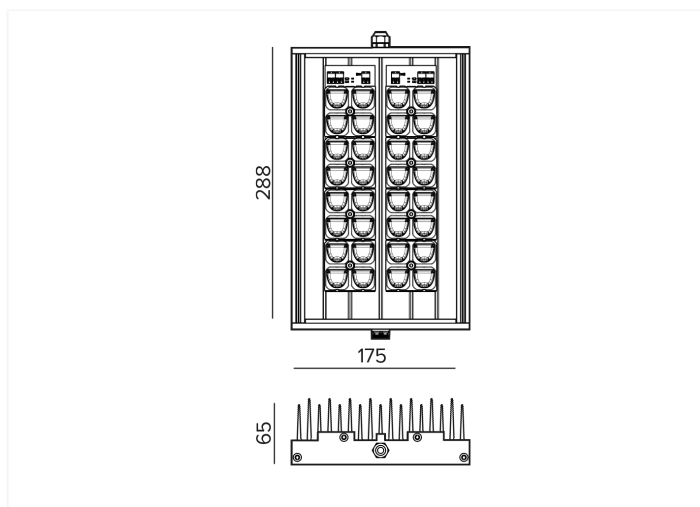
**BENITO**

info@benito.com  
tel. 93 852 1000

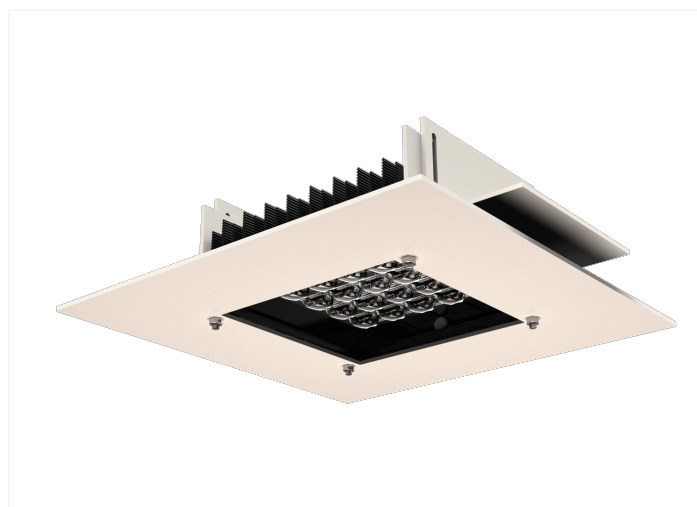
## SPECIFICATIONS :

Housing material:	
Diffuser (optic system enclosure):	
Fixing elements:	
Housing:	
Sealing gaskets:	
IP rating (luminaire):	
IP rating (optic system):	20-66
IK rating (impact resistance):	IK10
LEDs thermal dissipation:	
Anti-condensation valve:	
Paint and finishes:	
Colour:	
Mounting:	
Tilt range:	
Maintenance:	
Recommended mounting height:	6-10m
Driver:	
Flow Reduction:	
Ready4IOT - Connectivity:	
Surge protection device (SPD):	
DarkSky Approved	

## DRAWING:

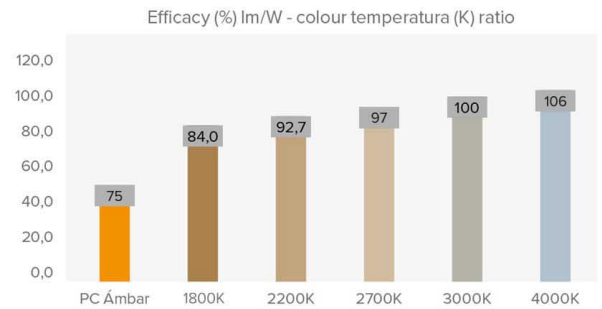


## INSTALLATION:



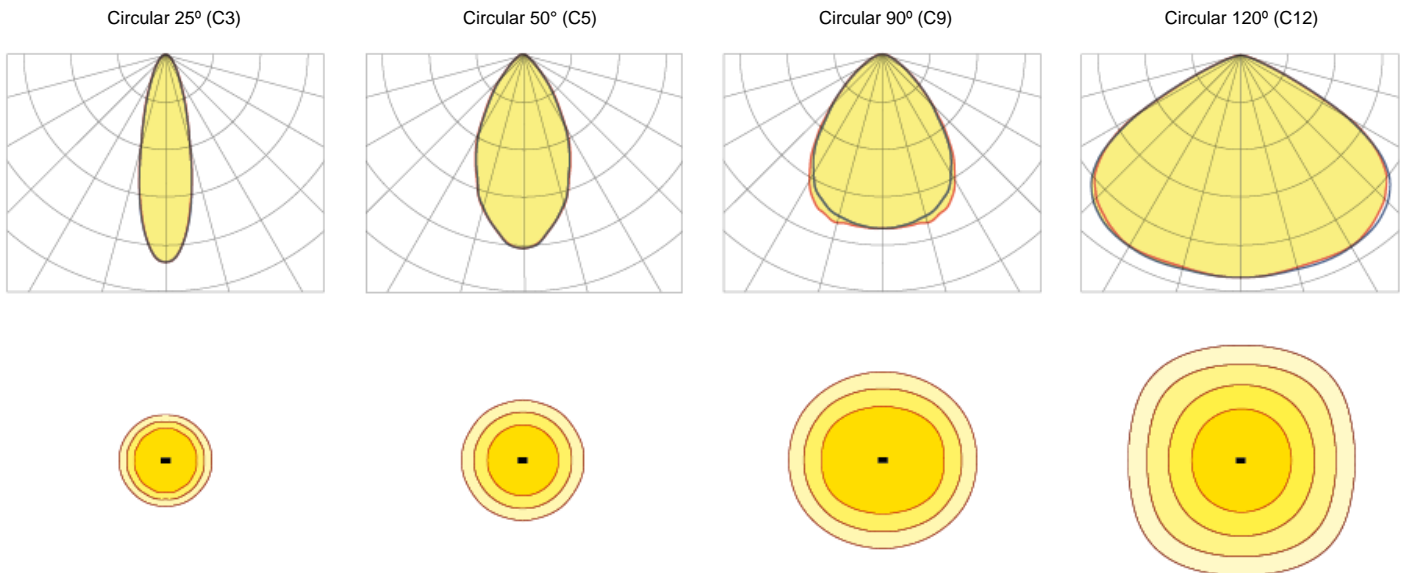
## TECHNICAL DATA:

REF.	N° LEDs	Power W	I Driver mA	Real luminous flux (T) =85°C		Initial luminous flux (T) =25°C		
				Flux lm	Efficacy lm/W	Flux lm	Efficacy lm/W	
GAS 32	APG32	32	80	750	11360	142	12950	162
		32	100	938	14100	141	16074	161
		32	120	1125	16920	141	19289	161



Luminous flux and efficiencies at 3000K and CRI>70 – Tolerance ± 3%

## PHOTOMETRY:



\*Show 4 recommended lighting distributions. Refer to the 18 typologies.

## LEDs MODULE:

LEDs module:	
Replaceable module:	
LED:	5050
Number of LEDs:	24
PCBs format:	2 Zhaga (Book 15) 2x8
LED nominal efficacy:	172
Colour temperature:	
Colour rendering index CRI:	
Average LED useful time L90B10:	L90B10 >100.000 horas

## OPTIC SPECIFICATIONS:

Optic system:	
Light distributions:	
Upward light output ratio ULOR:	0%
Downward light output ratio DLOR:	100%
Glare index:	
Luminous intensity category:	
Luminous flux CIE n°3:	>95%
Photobiological safety:	
Initial luminous flux Tj=25°C (up to):	lm 19289
Initial luminaire efficacy Tj=25°C (up to):	lm/W 162
Real luminous flux Tj=85°C (UNE EN 13032-4) (up to):	lm 16920
Real luminaire efficacy Tj=85°C (UNE EN 13032-4) (up to):	lm/W 142

## ELECTRIC SPECIFICATIONS:

Nominal maximum power (LEDs):	W	108
Maximum power consumed (luminaire):	W	120
Power range:	W	60 - 120 W
Maximum current of LED:	mA	<500 (<50% I <sub>max</sub> )
Power supply protection classes IEC:		
Surge protection device (SPD):		
Common and differential mode protection (SPD) Udc:	kV	10
Max current (8/20) (SPD):	kA	20
Thermal phase disconnection (SPD):		
Input voltage:	Vac	220-240
Input voltage (max rate):	Vac	198-264
Input frequency:	Hz	47-63
Starting current:	A	<65
Duration of the starting voltage peak:	ms	<0,3
Driver efficacy:		>90%
Power factor 100% consumption:		>0,98
Power factor 50% consumption:		>0,95
Total harmonic distortion (THD):		<10
Power consumption on standby mode:	W	<0,4
Energy class:		C (According to EU Regulation 2019/2015 EPREL) - A++ IPEA>1.15.

## OPERATING CONDITIONS:

Average LED useful time L90B10:	>100.000
Average driver useful life to T <sub>p</sub> <70°C:	100.000
Average luminaire useful life L90B10 (TM-21):	
Ambient temperature (T <sub>a</sub> ):	°C de -35°C a +50°C
Aerodynamic resistance (C <sub>x</sub> S):	m <sup>2</sup>
Vibration test (15Hz 3 axis):	
Guarantee:	

## PACKAGING DIMENSIONS:

Net weight	kg	2
Gross weight	kg	
Luminaire dimensions (LxWxH)	mm	288x175x65
Packaging dimensions (LxWxH)	mm	
Pieces per box		1
Quantity per container 20ft		
Quantity per container 40ft		

## CERTIFICATES:

Security certificates:	EN 62031 / EN 62493 / EN 62471 / IEC 62778 / EN 61247-2-14
EMC certificates:	EN 55015 / EN 61547 / EN 61000-3-2 / EN 61000-3-3 / EN 61347-2-13 / EN 61347-1 / EN 62384
Other certifications:	IEC 62262 / EN 13032-4 / EN 62717 / EN 6272-1 / EN 6272-2-1 / EN 61643-11

Company Certifications



# BENITO

info@benito.com  
tel. 93 852 1000