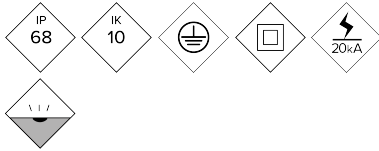


APIRO

Floodlight IRIS-O



Adjustable, recessed, ground-level Floodlight with RGBW technology, circular in shape, and a0.39 in tempered glass enclosure. This product is rated for up to 2000kg according to EN 60598-2-13. This product range offers three different sizes and a wide power range, from 20W to 40W. DMX-512 protocol control.

MAIN FEATURES:

- High efficiency. Up to 100 lm/W actual.
- 2 different sizes. 20W and 40W.
- Aluminum injection body.
- 10mm toughened tempered glass for high strength
- Regulation control via DMX-512 protocol.
- High temperature resistant waterproof silicone ring, corrosion resistant PP plastic
- Stainless steel hardware and frame

APPLICATIONS:

- Commercial and Tourist Streets
- Architectural; Buildings and Monuments
- Accent Lighting; Trees and Sculptures

DETAILS:



Static weight resistance up to 5000kg.



Optics with anti-glare effect.

[Project sheet](#) | [CAD](#) | [HD image](#)

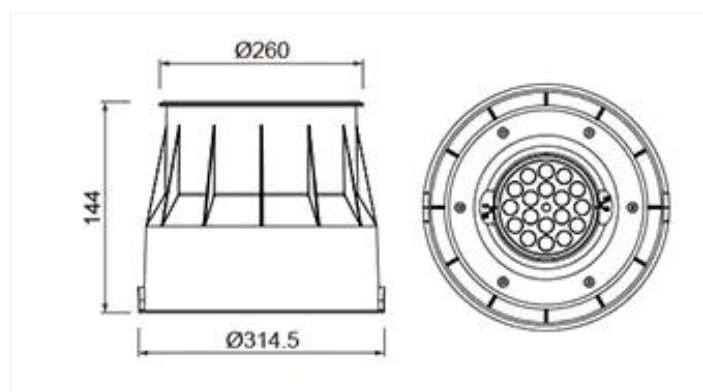
BENITO

info@benito.com
tel. 93 852 1000

SPECIFICATIONS :

Housing material:	Die-cast aluminium casting of type EN AC-43000, EN AC-43100, EN AC-43400, EN AC-44100, EN AC-47100 according to standard UNE EN 1706.
Diffuser (optic system enclosure):	10mm tempered glass. UV filter.
Fixing elements:	18/8 Stainless Steel - AISI 304
Housing:	Double Cavity: Driver / LED Module
Sealing gaskets:	Silicone Foam
IP rating (luminaire):	IP68
IP rating (optic system):	IP68
IK rating (impact resistance):	IK10
LEDs thermal dissipation:	Heat dissipation through the luminaire body, without external fins or conductive fluids. Passive heat dissipation through convection, ensuring thermal contact between the LED modules through highly conductive heat transfer material.
Anti-condensation valve:	Pressure compensation valve that ensures moisture evacuation, preventing condensation and maintaining the luminaire's IP rating.
Paint and finishes:	Corrosion resistant
Colour:	Chrome
Mounting:	Flush through fixing base
Tilt range:	+/- 15°
Maintenance:	Replaceable modules: LEDs, Driver, Decoder, SPD.
Recommended mounting height:	Up to 8m
Driver:	Dimmable and programmable constant current driver with different levels (0-10V, 1-10V, DALI2, NFC). Built into the luminaire, pre-wired on a steel plate. .
Flow Reduction:	DMX-512, DALI
Ready4IOT - Connectivity:	Dimming control compatible with any DMX-512 system. Optionally, a controller with internal memories of lighting scenes can be supplied. Includes programming software.
Surge protection device (SPD):	Type T2+T3, 10-20kV and 20kA transient surge protector. Series connection with thermofuse, disconnection for a more effective protection at the end of the SPD service life. (Optional SPD Full Permanent Surge Protector >264VAc to <170VAc).
DarkSky Approved	

DRAWING:

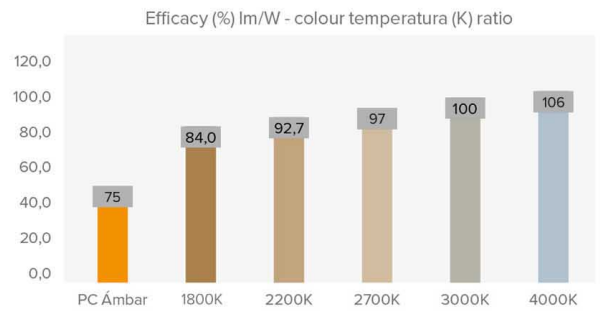


INSTALLATION:



TECHNICAL DATA:

	REF.	N° LEDs	Power W	I Driver mA	Real luminous flux (T) =85°C	Initial luminous flux (T) =25°C
					Flux lm	Efficacy lm/W
IRIS O 60 C5 RGBW	APIRO60C5	28	60	684	6600	110
					7920	132

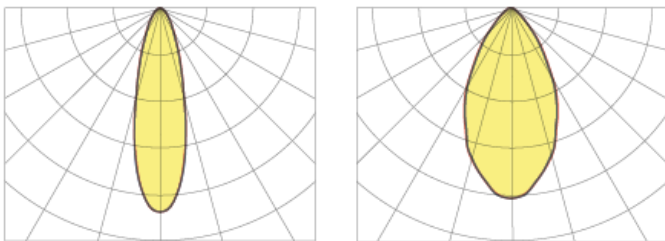


LEDs: 3535 Nominal LED Efficiency: 112 lm/W. Maximum LED current: 1000 mA. LED current = Driver current/4. Average Life L90B10: >100,000 hours. Luminous Fluxes and Efficiencies at 3000°K and CRI>70.
 ·Luminous flux tolerance < +/- 3%. Values subject to change without notice depending on LED Binning.

PHOTOMETRY:

30° Circular (C3)

50° Circular (C5)



*Show 4 recommended lighting distributions. Refer to the 18 typologies.

LEDs MODULE:

LEDs module:	BENITO 18 LEDs. See color temperatures, CRI, and light distributions. (NTC temperature probe optional).
Replaceable module:	Yeah
LED:	LUXEON 3535
Number of LEDs:	28
PCBs format:	Circular arrangement. Optional Zhaga
LED nominal efficacy:	132
Colour temperature:	3000K, RGBW
Colour rendering index CRI:	
Average LED useful time L90B10:	L90B10 >100,000 hours

OPTIC SPECIFICATIONS:

Optic system:	PMMA lenses
Light distributions:	3 light distribution curves
Upward light output ratio ULOR:	0%
Downward light output ratio DLOR:	100%
Glare index:	Between D5 and D6 (depending on the light distribution)
Luminous intensity category:	Between G*4 and G*6 (depending on the light distribution)
Luminous flux CIE n°3:	>95% (See 18 Light Distributions).
Photobiological safety:	RG0 (risk-free)
Initial luminous flux Tj=25°C (up to):	lm 6600
Initial luminaire efficacy Tj=25°C (up to):	lm/W 110
Real luminous flux Tj=85°C (UNE EN 13032-4) (up to):	lm 7920
Real luminaire efficacy Tj=85°C (UNE EN 13032-4) (up to):	lm/W 132

ELECTRIC SPECIFICATIONS:

Nominal maximum power (LEDs):	W 56
Maximum power consumed (luminaire):	W 60
Power range:	W 20W - 60W
Maximum current of LED:	mA <470 (LED Current = 50% Driver Current).
Power supply protection classes IEC:	Class I and II
Surge protection device (SPD):	Type 2 and Type 3, 10-20kV and 20kA transient surge protector. Series connection with thermal fuse disconnecter for a more effective protection at the end of its service life.
Common and differential mode protection (SPD) Udc:	kV 10
Max current (8/20) (SPD):	kA 20
Thermal phase disconnection (SPD):	Yes
Input voltage:	Vac 220-240
Input voltage (max rate):	Vac 198-264
Input frequency:	Hz 47-63
Starting current:	A <65
Duration of the starting voltage peak:	ms <0.3
Driver efficacy:	>90%
Power factor 100% consumption:	>0.98
Power factor 50% consumption:	>0.95
Total harmonic distortion (THD):	<10
Power consumption on standby mode:	W <0.4
Energy class:	C (According to EU Regulation 2019/2015 EPREL) - A++ IPEA>1.15

OPERATING CONDITIONS:

Average LED useful time L90B10:	hours >100,000
Average driver useful life to Tp <70°C:	hours 100,000
Average luminaire useful life L90B10 (TM-21):	hours 72,167
Ambient temperature (Ta):	°C From -35°C to +50°C
Aerodynamic resistance (CxS):	m2
Vibration test (15Hz 3 axis):	
Guarantee:	years 5 (extensible up to 10)

PACKAGING DIMENSIONS:

Net weight	kg 9.8
Gross weight	kg 10.5
Luminaire dimensions (LxWxH)	mm 270x270x295
Packaging dimensions (LxWxH)	mm 300x300x325
Pieces per box	1
Quantity per container 20ft	1344
Quantity per container 40ft	2898

CERTIFICATES:

Security certificates:	EN 60598-1 / EN 60598-2-5 / EN 62493 / IEC 62471
EMC certificates:	EN 55015 / EN 61547 / EN 61000-3-2 / EN 61000-3-3 / EN 61347-2-13 / EN 61347-1 / EN 62384
Other certifications:	IEC 62262 / EN 13032-4 / EN 62717 / EN 6272-1 / EN 6272-2-1 / EN 61643-11

Company Certifications



BENITO

info@benito.com
tel. 93 852 1000