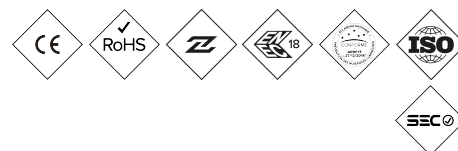
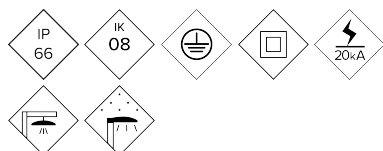


ILCP

Luminaire

CAMPRODON



Classic residential luminaire including all necessary technical details for LED technology. Ideal for historical places, urban and rural areas such as pedestrian areas, maritime promenades, parks and squares.

MAIN FEATURES:

High efficiency. Up to 145 lm/W real
Fixing by three vertical suspended screws
High-strength aluminum injection body
Upper dome in two pieces.
18 different light distributions
Zhaga Standard (Book 15)

APPLICATIONS:

Historic Centers
Residential Streets (Zones 30)
Pedestrian Zones
Commercial and Tourist Streets
Green Areas; Parks and Gardens

[Project sheet](#) | [CAD](#) | [Mounting instructions](#) | [HD image](#)

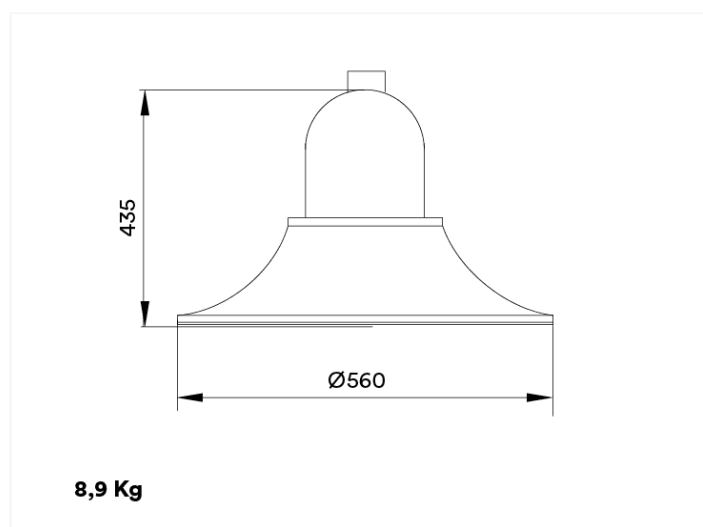
BENITO

info@benito.com
tel. 93 852 1000

SPECIFICATIONS :

Housing material:	High-strength injection-molded aluminum body. Type EN AC-43000, EN AC-43100, EN AC-43400, EN AC-44100, EN AC-47100, according to UNE EN 1706.
Diffuser (optic system enclosure):	4mm tempered glass. UV filtering.
Fixing elements:	18/8 Stainless Steel - AISI 304
Housing:	Single Cavity: Driver / LED Module
Sealing gaskets:	Silicone Foam
IP rating (luminaire):	IP66
IP rating (optic system):	IP66
IK rating (impact resistance):	IK08-IK09
LEDs thermal dissipation:	Heat dissipation through an internal heatsink, without external fins or conductive fluids. Passive heat dissipation through convection, ensuring thermal contact with the LED modules through highly conductive heat transfer material.
Anti-condensation valve:	Pressure compensation valve that ensures moisture evacuation, preventing condensation and maintaining the luminaire's IP rating.
Paint and finishes:	Polyester powder coating, electrostatically sprayed and oven-sublimated. Corrosion-resistant.
Colour:	Micro textured black color and other colors upon request
Mounting:	Suspended Fixing by means of three screws (3xM10 120°)
Tilt range:	-
Maintenance:	Two-piece outer dome. Replaceable modules: LEDs, drivers, SPDs.
Recommended mounting height:	3 - 7 m
Driver:	Dimmable and programmable constant current driver. Built into the luminaire, pre-wired on a steel plate. .
Flow Reduction:	Dimmable 0-10V Driver, programmable in 5 levels and with DALI 2 option. With the features of Wireless, AOC, MTP, DTL.
Ready4IOT - Connectivity:	<ul style="list-style-type: none"> - Autonomous multiple-level dimming or virtual midnight - Ready4IoT - Dimming by main voltage - Line switch
Surge protection device (SPD):	Type 2, 10-20kV and 20kA transient surge protector. Series connection with thermofuse disconnecter for a more effective protection at the end of its service life
DarkSky Approved	

DRAWING:

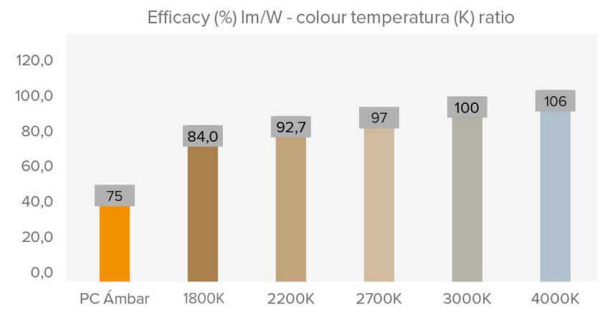


INSTALLATION:



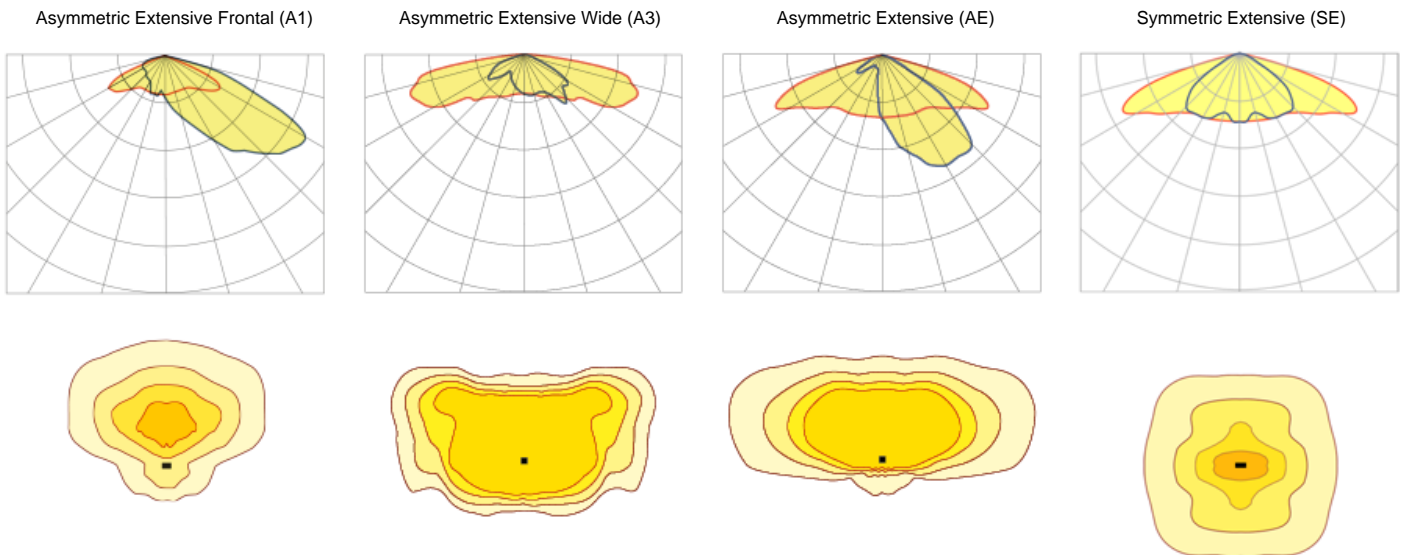
TECHNICAL DATA:

	REF.	N° LEDs	Power W	I Driver mA	Real luminous flux (T) =85°C		Initial luminous flux (T) =25°C	
					Flux lm	Efficacy lm/W	Flux lm	Efficacy lm/W
Camprodon	ILCP	16	20	375	2842	142	3240	162
		16	40	750	5642	141	6432	161
		16	60	1125	8443	141	9625	160



Luminous flux and efficiencies at 3000K and CRI>70 – Tolerance ± 3%

PHOTOMETRY:



*Show 4 recommended lighting distributions. Refer to the 18 typologies.

LEDs MODULE:

LEDs module:	BENITO Zhaga format with 16 LEDs. Consult color temperatures, CRI, and light distributions.
Replaceable module:	YEAH
LED:	5050
Number of LEDs:	16
PCBs format:	2 Zhaga (Book 15) 2x4
LED nominal efficacy:	172
Colour temperature:	PC Amber, 2K2, 2K7, 3K, 4K, 5K
Colour rendering index CRI:	>70 (optional >80)
Average LED useful time L90B10:	L90B10 >100,000 hours

OPTIC SPECIFICATIONS:

Optic system:	PMMA 2x2 lenses
Light distributions:	18 light distribution curves
Upward light output ratio ULOR:	0%
Downward light output ratio DLOR:	100%
Glare index:	Between D5 and D6 (depending on the light distribution)
Luminous intensity category:	Between G*4 and G*6 (depending on the light distribution)
Luminous flux CIE n°3:	>95%
Photobiological safety:	RG0 (risk-free)
Initial luminous flux Tj=25°C (up to):	lm 9625
Initial luminaire efficacy Tj=25°C (up to):	lm/W 160
Real luminous flux Tj=85°C (UNE EN 13032-4) (up to):	lm 8443
Real luminaire efficacy Tj=85°C (UNE EN 13032-4) (up to):	lm/W 141

ELECTRIC SPECIFICATIONS:

Nominal maximum power (LEDs):	W	54,6
Maximum power consumed (luminaire):	W	60
Power range:	W	20 - 60W
Maximum current of LED:	mA	<500 (<50% I _{max})
Power supply protection classes IEC:		Class I and II
Surge protection device (SPD):		Type 2, 10-20kV and 20kA transient surge protector. Series connection with thermofuse disconnecter for a more effective protection at the end of its service life
Common and differential mode protection (SPD) Udc:	kV	10 with optional NTC
Max current (8/20) (SPD):	kA	20
Thermal phase disconnection (SPD):		Yes
Input voltage:	Vac	220-240
Input voltage (max rate):	Vac	198-264
Input frequency:	Hz	47-63
Starting current:	A	<65
Duration of the starting voltage peak:	ms	<0.3
Driver efficacy:		>90%
Power factor 100% consumption:		>0.98
Power factor 50% consumption:		>0.95
Total harmonic distortion (THD):		<10
Power consumption on standby mode:	W	<0.4
Energy class:		C (According to EU Regulation 2019/2015 EPREL) - A++ IPEA>1.15.

OPERATING CONDITIONS:

Average LED useful time L90B10:	hours	>100,000
Average driver useful life to Tp <70°C:	hours	100,000
Average luminaire useful life L90B10 (TM-21):	hours	
Ambient temperature (Ta):	°C	From -35°C to +50°C
Aerodynamic resistance (CxS):	m2	0.12
Vibration test (15Hz 3 axis):		
Guarantee:	Years	5 years (extensible up to 10 years)

PACKAGING DIMENSIONS:

Net weight	kg	8.9
Gross weight	kg	
Luminaire dimensions (LxWxH)	mm	560x560x435
Packaging dimensions (LxWxH)	mm	
Pieces per box		1
Quantity per container 20ft		
Quantity per container 40ft		

CERTIFICATES:

Security certificates:	EN 40 / EN 62031 / EN 62493 / EN 62471 / IEC 62778 / EN 61247-2-13
EMC certificates:	EN 55015 / EN 61547 / EN 61000-3-2 / EN 61000-3-3 / EN 61347-2-13 / EN 61347-1 / EN 62384
Other certifications:	IEC 62262 / EN 13032-4 / EN 62717 / EN 6272-1 / EN 6272-2-1 / EN 61643-11

Company Certifications

**BENITO**

info@benito.com
tel. 93 852 1000