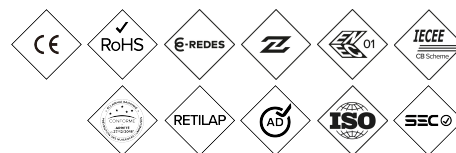
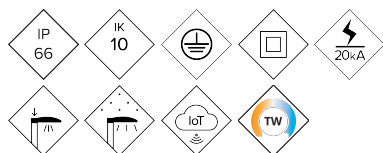


ILCZ

Luminaire

CITIZEN CLEAR



Decorative or functional luminaire ideal for residential areas (green spaces, pedestrian areas, parks...). Extensive optical and light distributions, glare control and cut-off suitable for pedestrians. Excellent relation between efficiency and cost.

MAIN FEATURES:

High efficiency. Up to 142 lm/W real
From 20W to 80W
Comfortable lighting, glare reduction
Exclusive Design
18 different light distributions
Zhaga Standard (Book 15)
Ready 4IoT. Ready for connectivity

APPLICATIONS:

Residential Streets (Zones 30)
Pedestrian Zones
Commercial and Tourist Streets
Squares
Green Areas; Parks and Gardens

[Project sheet](#) | [CAD](#) | [Mounting instructions](#) | [BIM](#) | [HD image](#)

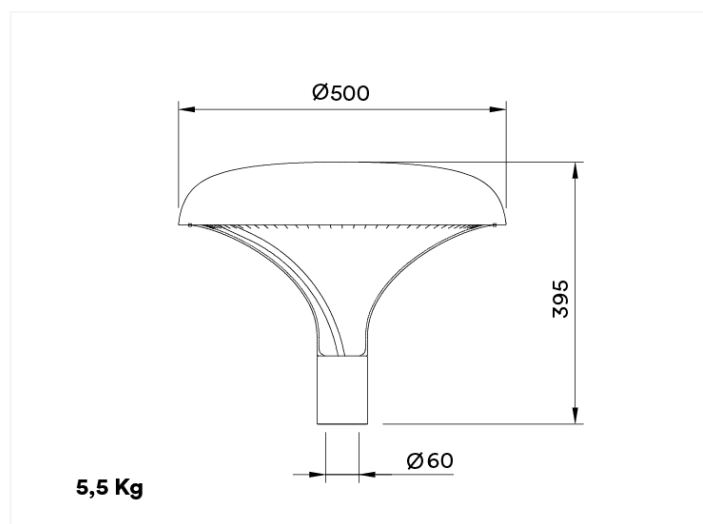
BENITO

info@benito.com
tel. 93 852 1000

SPECIFICATIONS :

Housing material:	Die-cast aluminium casting of type EN AC-43000, EN AC-43100, EN AC-43400, EN AC-44100, EN AC-47100 according to standard UNE EN 1706.
Diffuser (optic system enclosure):	High quality, ultra-clear polycarbonate diffuser for life.
Fixing elements:	18/8 Stainless Steel - AISI 304
Housing:	Lightweight polycarbonate structure with an aluminum cover whose function is to house the LED module and the Driver.
Sealing gaskets:	Silicone Foam
IP rating (luminaire):	IP66
IP rating (optic system):	66
IK rating (impact resistance):	IK10
LEDs thermal dissipation:	Heat dissipation through the luminaire body, without external fins or conductive fluids. Passive heat dissipation through convection, ensuring thermal contact between the LED modules through highly conductive heat transfer material.
Anti-condensation valve:	
Paint and finishes:	Polyester powder coating, electrostatically sprayed and oven-sublimated. Corrosion-resistant.
Colour:	RAL 9006 color, and other colors on request
Mounting:	Top fixing Ø60mm
Tilt range:	-
Maintenance:	IP67 Quick Connector, Replaceable modules: LEDs, Drivers, SPD.
Recommended mounting height:	3 - 6 m
Driver:	Dimmable and programmable constant-current driver. Built into the luminaire, pre-wired.
Flow Reduction:	Dimmable 0-10V Driver, programmable in 5 levels and with DALI 2 option. With the features of Wireless, AOC, MTP, DTL.
Ready4IOT - Connectivity:	<ul style="list-style-type: none"> - Autonomous multiple-level dimming or virtual midnight - Ready4IoT - Dimming by main voltage - Line switch
Surge protection device (SPD):	Type 2, 10kV and 20kA transient surge protector. Series connection with thermofuse disconnecter for a more effective protection at the end of its service life
DarkSky Approved	The mount is pre-installed at 90 deg post top orientation.

DRAWING:



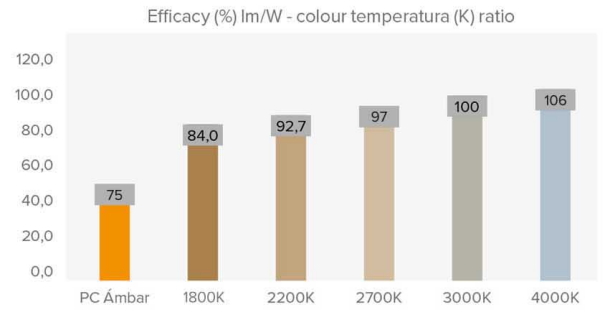
INSTALLATION:



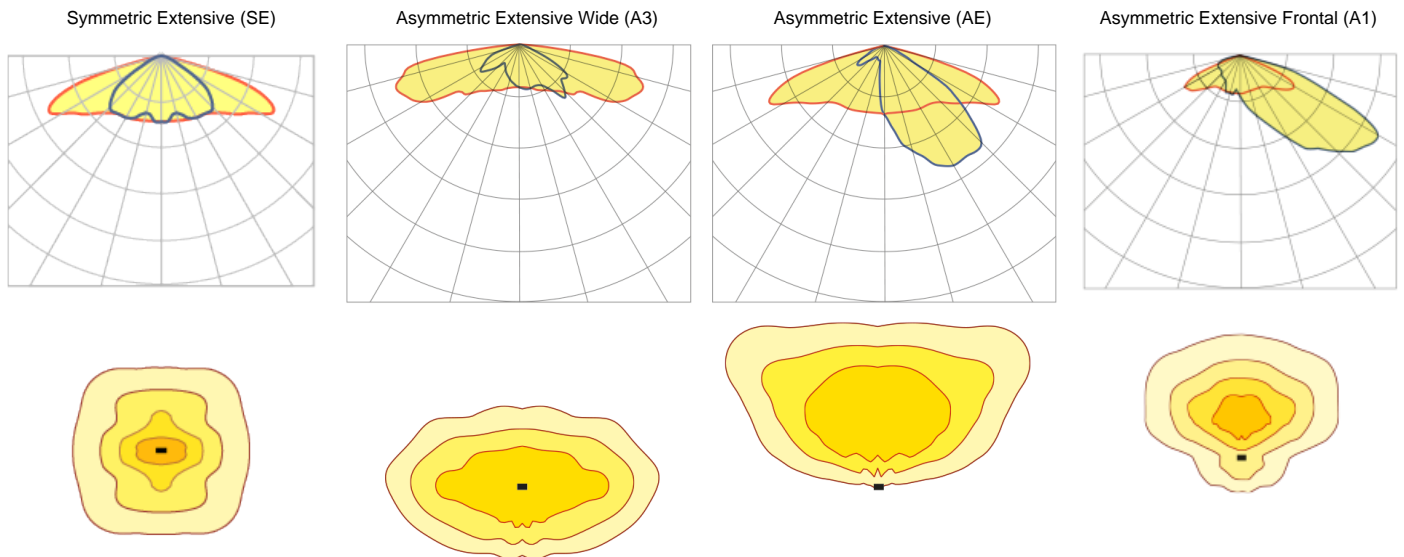
TECHNICAL DATA:

REF.	N° LEDs	Power W	I Driver mA	Real luminous flux (T) =85°C		Initial luminous flux (T) =25°C	
				Flux lm	Efficacy lm/W	Flux lm	Efficacy lm/W
CITIZEN CLEAR ILCZO	16	20	375	2842	142	3240	162
	16	30	563	4242	141	4836	161
	16	40	750	5600	140	6384	160
	32	40	375	5680	142	6475	162
	32	60	563	8400	140	9576	160
	32	80	750	11040	138	12586	157

Luminous flux and efficiencies at 3000K and CRI>70 – Tolerance ± 3%
 Approved by DarkSky with 3000K or lower



PHOTOMETRY:



*Show 4 recommended lighting distributions. Refer to the 18 typologies.

LEDs MODULE:

LEDs module:	BENITO Zhaga format with 8 and 16 LEDs. Consult color temperatures, CRI, and light distributions.
Replaceable module:	YEAH
LED:	5050
Number of LEDs:	16 - 32
PCBs format:	2 o 4 Zhaga (Book 15) 2x4
LED nominal efficacy:	172 lm/W
Colour temperature:	PC Amber, 2K2, 2K7, 3K, 4K, 5K
Colour rendering index CRI:	>70 (optional >80)
Average LED useful time L90B10:	L90B10 >100,000 hours

OPTIC SPECIFICATIONS:

Optic system:	PMMA 2x2 lenses
Light distributions:	18 light distribution curves. A1,A3,AE and SE distributions are DarkSky Approved.
Upward light output ratio ULOR:	<1%
Downward light output ratio DLOR:	>99%
Glare index:	Between D5 and D6 (depending on the light distribution)
Luminous intensity category:	Between G*4 and G*6 (depending on the light distribution)
Luminous flux CIE n°3:	>95%
Photobiological safety:	RG0 (risk-free)
Initial luminous flux Tj=25°C (up to):	lm 12586
Initial luminaire efficacy Tj=25°C (up to):	lm/W 162
Real luminous flux Tj=85°C (UNE EN 13032-4) (up to):	lm 11040
Real luminaire efficacy Tj=85°C (UNE EN 13032-4) (up to):	lm/W 142 (Rendimiento = 82.6 % lm/W (Real 85°C) ÷ lm/W (Nominal Led))

ELECTRIC SPECIFICATIONS:

Nominal maximum power (LEDs):	W 72
Maximum power consumed (luminaire):	W 80
Power range:	W 20-80W
Maximum current of LED:	mA <400 (<50% Imax)
Power supply protection classes IEC:	Class I and II
Surge protection device (SPD):	Type 2, 10kV and 20kA transient surge protector. Series connection with thermofuse disconnecter for a more effective protection at the end of its service life
Common and differential mode protection (SPD) Udc:	kV 10 con NTC opcional
Max current (8/20) (SPD):	kA 20
Thermal phase disconnection (SPD):	Yes
Input voltage:	Vac 220-240
Input voltage (max rate):	Vac 198-264
Input frequency:	Hz 47-63
Starting current:	A <65
Duration of the starting voltage peak:	ms <0,3
Driver efficacy:	>90%
Power factor 100% consumption:	>0,98
Power factor 50% consumption:	>0,95
Total harmonic distortion (THD):	<10
Power consumption on standby mode:	W <0.4
Energy class:	C (According to EU Regulation 2019/2015 EPREL) - A++ IPEA>1.15.

OPERATING CONDITIONS:

Average LED useful time L90B10:	hours >100.000
Average driver useful life to Tp <70°C:	hours 100.000
Average luminaire useful life L90B10 (TM-21):	hours 72.167
Ambient temperature (Ta):	°C de -35°C a +50°C
Aerodynamic resistance (CxS):	m2 0,082
Vibration test (15Hz 3 axis):	
Guarantee:	years 5 years (extensible up to 10 years)

PACKAGING DIMENSIONS:

Net weight	kg 5,5
Gross weight	kg 7
Luminaire dimensions (LxWxH)	mm 500x500x395
Packaging dimensions (LxWxH)	mm
Pieces per box	1
Quantity per container 20ft	
Quantity per container 40ft	

CERTIFICATES:

Security certificates:	EN 40 / EN 62031 / EN 62493 / EN 62471 / IEC 62778 / EN 61247-2-13"
EMC certificates:	EN 55015 / EN 61547 / EN 61000-3-2 / EN 61000-3-3 / EN 61347-2-13 / EN 61347-1 / EN 62384"
Other certifications:	IEC 62262 / EN 13032-4 / EN 62717 / EN 6272-1 / EN 6272-2-1 / EN 61643-11

Company Certifications

**BENITO**

info@benito.com
tel. 93 852 1000