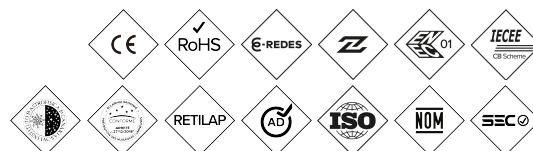
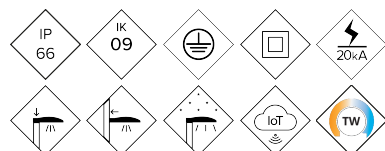


ILLI1

Luminaire

# ELIUM MINI



Extra flat luminaire with an excellent relation between efficiency and cost. Available in three sizes with extensive optical and light distributions to cover all applications. Ideal to be installed on 4m to 12m lighting poles.

## MAIN FEATURES:

High efficiency. Up to 142 lm/W real  
3 different sizes. From 20W to 150W  
Easy opening with standard tools  
18 different light distributions  
Zhaga Standard (Book 15)  
Ready 4IoT. Ready for connectivity

## APPLICATIONS:

Urban Roads and Streets  
Cycle Lane and Narrow Tracks  
Rural Roads  
Parking

[Project sheet](#) | [CAD](#) | [Mounting instructions](#) | [BIM](#) | [HD image](#)

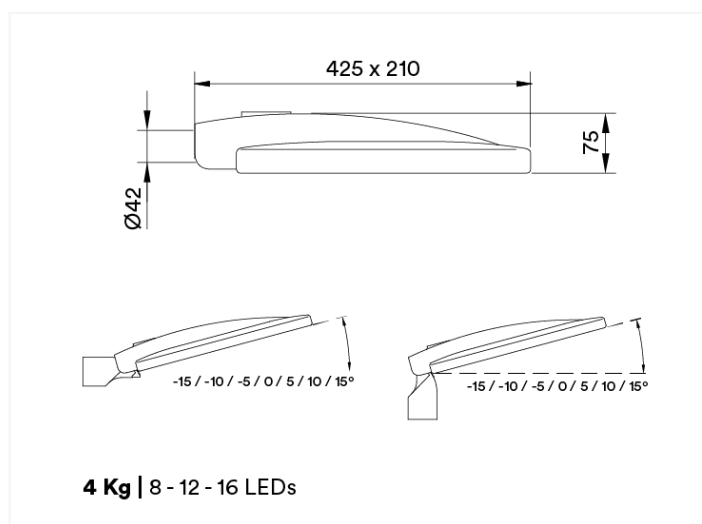
# BENITO

info@benito.com  
tel. 93 852 1000

## SPECIFICATIONS :

Housing material:	Die-cast aluminium casting of type EN AC-43000, EN AC-43100, EN AC-43400, EN AC-44100, EN AC-47100 according to standard UNE EN 1706.
Diffuser (optic system enclosure):	5mm tempered glass. Filters UV rays.
Fixing elements:	18/8 Stainless Steel - AISI 304
Housing:	Single Cavity: Driver / LED Module.
Sealing gaskets:	Silicone Foam
IP rating (luminaire):	66
IP rating (optic system):	66
IK rating (impact resistance):	09
LEDs thermal dissipation:	Heat dissipation through the luminaire body, without external fins or conductive fluids. Passive heat dissipation through convection, ensuring thermal contact between the LED modules through highly conductive heat transfer material.
Anti-condensation valve:	
Paint and finishes:	Polyester powder coating, electrostatically sprayed and oven-sublimated. Corrosion-resistant.
Colour:	RAL 9006 color and other colors on request.
Mounting:	Post-Top Fixing Ø60 mm (Optional Ø42 mm without Tilt Ball Joint).
Tilt range:	Adjustable luminaire from -15° to 15° inclination.
Maintenance:	Easy to open with a screwdriver. Replaceable modules: LEDs, drivers, SPDs.
Recommended mounting height:	4 - 7 m
Driver:	Dimmable and programmable constant current driver with different levels (0-10V, 1-10V, DALI2, NFC). Built into the luminaire, pre-wired on a steel plate. .
Flow Reduction:	Double level with control line, different timed levels or virtual midnight, flow reduction at the head.
Ready4IOT - Connectivity:	Zhaga Base (Book 18) - D4i. (Optional). NEMA 5,7 Pins Base (Optional). Bottom side Presence Sensor on Zhaga Base (Book 18) - D4i. (Optional).
Surge protection device (SPD):	Type T2+T3, 10-20kV and 20kA transient surge protector. Series connection with thermofuse, disconnection for a more effective protection at the end of the SPD service life. (Optional SPD Full Permanent Surge Protector >264Vac to <170Vac).
DarkSky Approved	

## DRAWING:

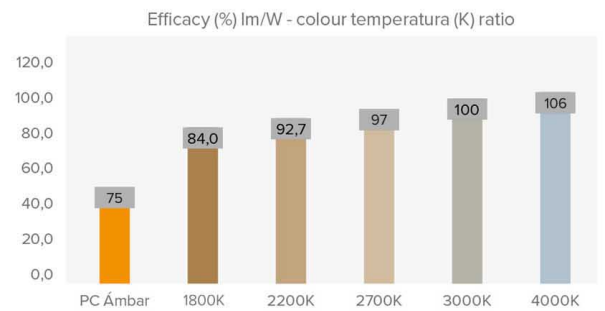


## INSTALLATION:



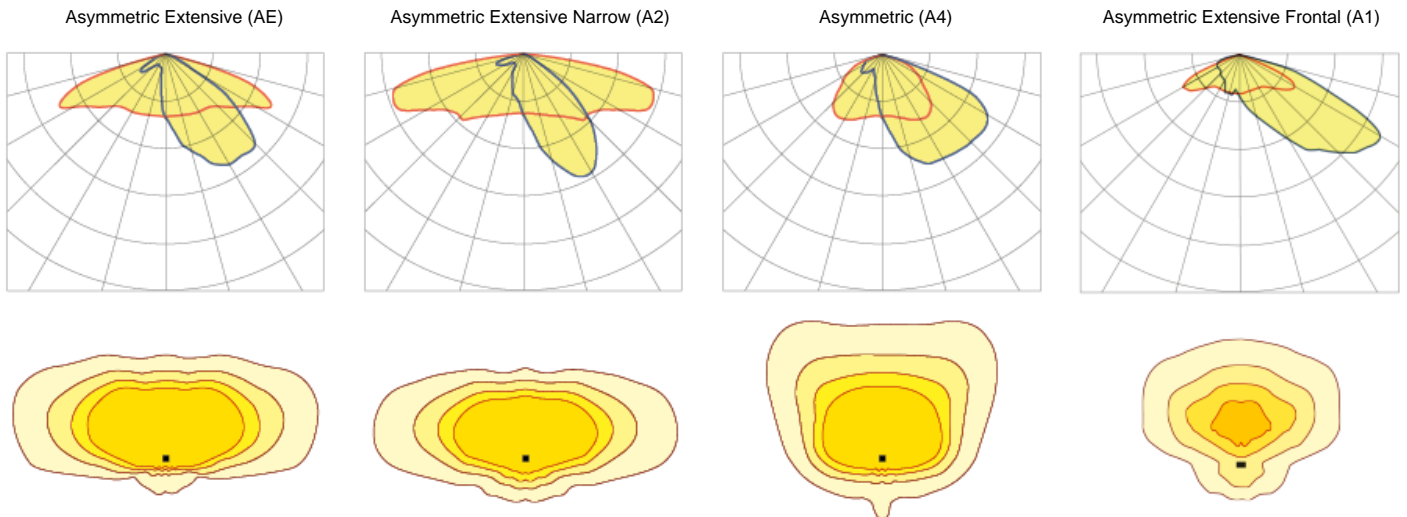
## TECHNICAL DATA:

	REF.	N° LEDs	Power W	I Driver mA	Real luminous flux (T) =85°C		Initial luminous flux (T) =25°C	
					Flux lm	Efficacy lm/W	Flux lm	Efficacy lm/W
ELIUM MINI	ILLI140	8	20	750	2820	141	3215	161
		16	20	375	2842	142	3240	162
		16	30	563	4242	141	4836	161
		16	40	750	5642	141	6432	161



Luminous flux and efficiencies at 3000K and CRI>70 – Tolerance ± 3%

## PHOTOMETRY:



\*Show 4 recommended lighting distributions. Refer to the 18 typologies.

## LEDs MODULE:

LEDs module:	BENITO Zhaga format with 8 LEDs. See color temperatures, CRI, and light distributions. (NTC temperature probe optional).
Replaceable module:	YEAH
LED:	5050
Number of LEDs:	8 - 16
PCBs format:	1 or 2 Zhaga (Book 15) 2x8
LED nominal efficacy:	172 lm/W
Colour temperature:	Amber PC - 1K8, 2K2, 2K7, 3K, 4K, 5K
Colour rendering index CRI:	>70 (optional >80)
Average LED useful time L90B10:	L90B10 >100,000 hours

## OPTIC SPECIFICATIONS:

Optic system:	PMMA 2x2 lenses
Light distributions:	18 light distribution curves
Upward light output ratio ULOR:	0%
Downward light output ratio DLOR:	100%
Glare index:	Between D5 and D6 (depending on the light distribution)
Luminous intensity category:	Between G*4 and G*6 (depending on the light distribution)
Luminous flux CIE n°3:	>95% (See 18 Light Distributions).
Photobiological safety:	RG0 (risk-free)
Initial luminous flux Tj=25°C (up to):	lm 6432
Initial luminaire efficacy Tj=25°C (up to):	lm/W 162
Real luminous flux Tj=85°C (UNE EN 13032-4) (up to):	lm 5642
Real luminaire efficacy Tj=85°C (UNE EN 13032-4) (up to):	lm/W 142

## ELECTRIC SPECIFICATIONS:

Nominal maximum power (LEDs):	W 36
Maximum power consumed (luminaire):	W 40
Power range:	W 20 - 40W
Maximum current of LED:	mA <470 (LED Current = 50% Driver Current).
Power supply protection classes IEC:	Class I and II
Surge protection device (SPD):	Type 2 and Type 3, 10-20kV and 20kA transient surge protector. Series connection with thermal fuse disconnecter for a more effective protection at the end of its service life.
Common and differential mode protection (SPD) Udc:	kV 10
Max current (8/20) (SPD):	kA 20
Thermal phase disconnection (SPD):	Yes
Input voltage:	Vac 220-240
Input voltage (max rate):	Vac 198-264
Input frequency:	Hz 47-63
Starting current:	A <65
Duration of the starting voltage peak:	ms <0,3
Driver efficacy:	>90%
Power factor 100% consumption:	>0,98
Power factor 50% consumption:	>0,95
Total harmonic distortion (THD):	<10
Power consumption on standby mode:	W <0.4
Energy class:	C (According to EU Regulation 2019/2015 EPREL) - A++ IPEA>1.15

## OPERATING CONDITIONS:

Average LED useful time L90B10:	hours >100.000
Average driver useful life to Tp <70°C:	hours 100.000
Average luminaire useful life L90B10 (TM-21):	hours 72.167
Ambient temperature (Ta):	°C de -35°C a +50°C
Aerodynamic resistance (CxS):	m2 0,039
Vibration test (15Hz 3 axis):	
Guarantee:	years 5 (extensible up to 10 years)

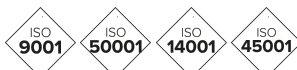
## PACKAGING DIMENSIONS:

Net weight	kg 4
Gross weight	kg 5
Luminaire dimensions (LxWxH)	mm 425x210x75
Packaging dimensions (LxWxH)	mm 440x225x105
Pieces per box	1
Quantity per container 20ft	
Quantity per container 40ft	

## CERTIFICATES:

Security certificates:	EN 60598-1 / EN 60598-2-3 / EN 62493 / IEC 62471
EMC certificates:	EN 55015 / EN 61547 / EN 61000-3-2 / EN 61000-3-3 / EN 61347-2-13 / EN 61347-1 / EN 62384
Other certifications:	IEC 62262 / EN 13032-4 EN62031 / EN 16474 / ISO 9227 / EN 60068-2-11 / ISO 10289 / EN 61643-11

Company Certifications



# BENITO

info@benito.com  
tel. 93 852 1000